

# SureLock™

Lockable ergonomic laptop drawer with tilt



Shown in custom Silver finish

The laptop has made your life easier by allowing you to take your computer wherever you go. But this level of portability comes with a price. Weber Knapp now offers an answer to the security concerns unique to laptop users. The SureLock's lockable drawer front flips up to secure and conceal its valuable contents, while giving users the ability to ergonomically adjust their laptop's tilt degree.

Weber Knapp DESIGNS for a SMARTER WORKSPACE

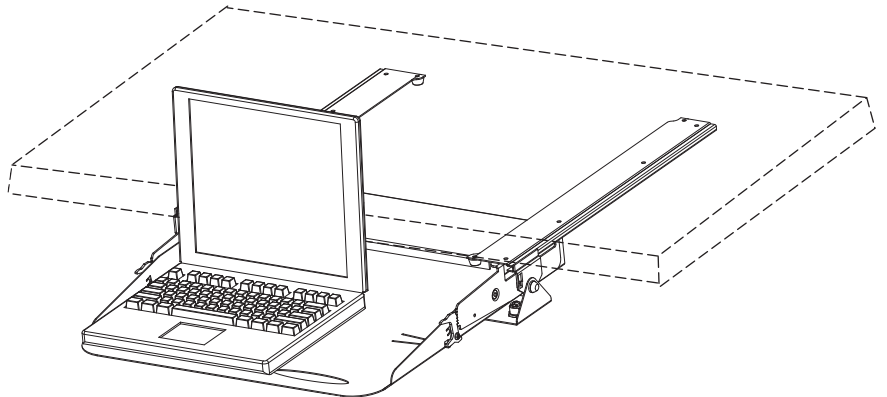
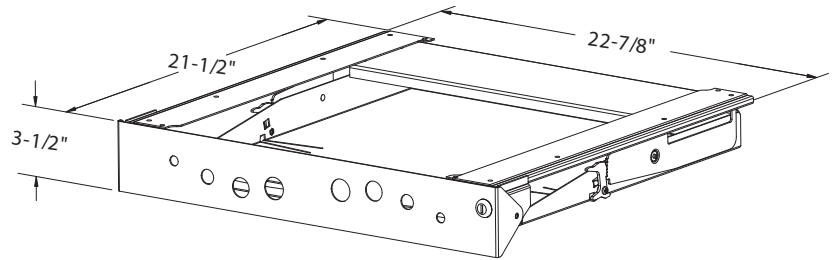


C O M P A N Y

Tel: (800) 828-9254 or (716) 484-9135  
www.weberknapp.com | e-mail sales@weberknapp.com

# Protect your Laptop With SureLock™

- At 20" deep, SureLock is sized to accommodate a laptop with port replicator or docking station. At 4" high, SureLock's slender profile minimizes the amount of intrusion into the kneespace area while in use or when stowed
- The generous 19½" wide platform allows most laptop users room for a stationary mousing surface
- Innovative center-pivot construction allows SureLock to tilt from 0° to 10° to provide a new level of ergonomic comfort to laptop users
- Fully retractable on a 21" track assembly, SureLock easily accommodates shallow worksurfaces with room to spare
- To address the security needs of laptop users, the lockable drawer front flips up to secure and conceal its valuable contents when not in use
- A cylinder lock and key are included, with no assembly of lock mechanism required
- The profile on the back of the drawer allows ample clearance for wire management, yet the most slender of laptops cannot be removed when secured
- Exceeds ANSI/BIFMA X5.5 1998 industry performance standards



## SureLock™ SPECIFICATIONS 26950

INSIDE WIDTH	19 5/8"
INSIDE DEPTH	20 1/4"
INSIDE HEIGHT*	2 3/4"
TILT	0° TO -10°
TILT INCREMENT	2°
MAXIMUM LAPTOP FOOTPRINT	19 5/8" W x 14" D
ANSI/BIFMA X5.5 1998	YES, EXCEEDS
MATERIAL	STEEL
FINISH	BLACK POWDERCOAT

\*At 14" depth from front, inside height is reduced to 2"

