

# Split Top Mechanisms

EasyMate™, PositionMate™, and CobraMate™ provide a range of ergonomic dual-surface options.



EasyMate™



PositionMate™

Our split top mechanisms allow for the creation of a height adjustable surface when added to either a fixed-height, or height-adjustable table. Whether the user is seated in a chair, on a stool or standing, our unique mechanisms easily position large workspaces to an exact and comfortable working height. Compare our three models' vertical travel range, tilt adjustability, width, retractability and price to determine which product and options will best fit your needs.

INTELLIGENT DESIGNS FOR A SMARTER WORKSPACE



C O M P A N Y

Tel: (800) 828-9254 or (716) 484-9135  
[www.weberknapp.com](http://www.weberknapp.com) | e-mail [sales@weberknapp.com](mailto:sales@weberknapp.com)

## EasyMate™ Advantages:

- Lift & Set, spring-assisted design allows for effortless height adjustment through a 12" travel range: 6" up and 6" down
- Soft knob enables +9° /-15° tilt for proper ergonomic alignment
- Simple installation – no paddle, separate brake mechanism or cable to mount
- Numerous widths available

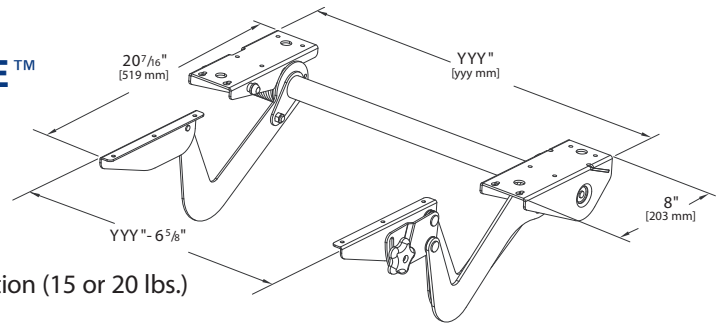
## PositionMate™ Advantages:

- Patented, spring-assisted design includes paddle-actuated height positioning through a 12<sup>3</sup>/<sub>4</sub>" travel range: 7" up and 5<sup>3</sup>/<sub>4</sub>" down
- Soft knob enables +9° /-15° tilt for proper ergonomic alignment
- Numerous widths available

## CobraMate™ Advantages:

- Lift & Set, spring-assisted design controls height adjustment through a 12 1/2" travel range: 7" up and 5 1/2" down
- Patented design is available in 22" or 30" widths
- Retracts to 8 1/2" to optimize workspace positioning

## EASYMATE™ 294XX

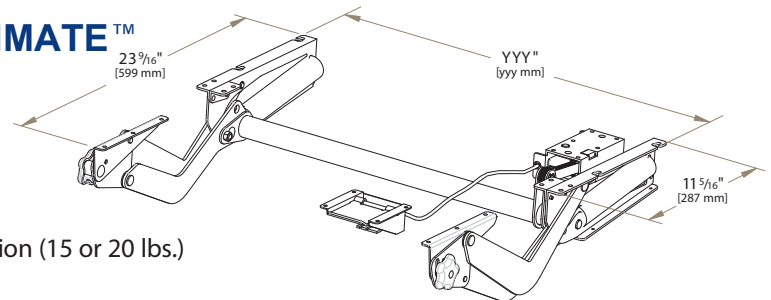


XX = Spring option (15 or 20 lbs.)  
YYY = Width

### HEIGHT ADJUSTMENT

UP	6" (152.4 mm)
DOWN	6" (152.4 mm)
TOTAL	12" (304.8 mm)
HEIGHT SET BY	LIFT & SET, SPRING-ASSISTED HEIGHT POSITIONING
TILT ADJUSTMENT	+9°/-15°
TILT SET BY	SINGLE KNOB
RETRACTABLE	NO
SPRING OPTIONS (XX)	15 OR 20 LB. (6.8 OR 9.1 KG)
ANSI/BIFMA X5.5 1998	YES, ON KEYBOARD SURFACES GREATER THAN 36" WIDE
MATERIAL	STEEL
FINISH	BLACK TEXTURED POWDERCOAT

## POSITIONMATE™ 187XX

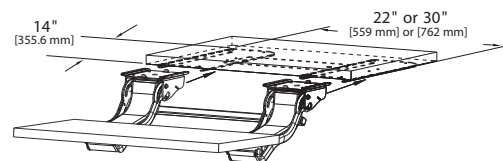


XX = Spring option (15 or 20 lbs.)  
YYY = Width

### HEIGHT ADJUSTMENT

UP	7" (178 mm)
DOWN	5 3/4" (146 mm)
TOTAL	12 3/4" (324 mm)
HEIGHT SET BY	PADDLE-ACTUATED HEIGHT POSITIONING
TILT ADJUSTMENT	+9°/-15°
TILT SET BY	(2) SOFT KNOBS
RETRACTABLE	NO
SPRING OPTIONS (XX)	15 OR 20 LB. (6.8 OR 9.1 KG)
ANSI/BIFMA X5.5 1998	YES, EXCEEDS
MATERIAL	STEEL
FINISH	BLACK TEXTURED POWDERCOAT

## COBRAMATE™ 25862



### HEIGHT ADJUSTMENT

UP	7" (178 mm)
DOWN	5 1/2" (140 mm)
TOTAL	12 1/2" (318 mm)
HEIGHT SET BY	LIFT & SET, SPRING-ASSISTED HEIGHT POSITIONING
TILT ADJUSTMENT	NONE
RETRACTABLE	YES, UP TO 8 1/2" ON DUAL 14" TRACK (INCLUDED)
ANSI/BIFMA X5.5 1998	YES, EXCEEDS
MATERIAL	STEEL
FINISH	BLACK TEXTURED POWDERCOAT