

# Tablet Holder

Adjustable hands free tablet holder



The Tablet Holder compliments the ever changing office landscape by creating an additional workspace to utilize tablet technology. The adjustable Tablet Holder can adapt to how the user needs to use the tablet for taking handwritten notes, typing a document, having an Internet meeting or even using the tablet as an additional monitor.

ADJUST THE WORKSPACE. DON'T ADJUST TO IT.

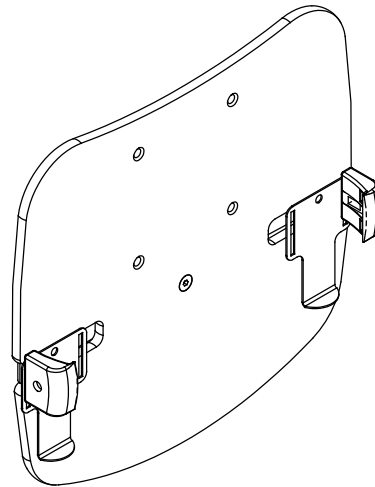
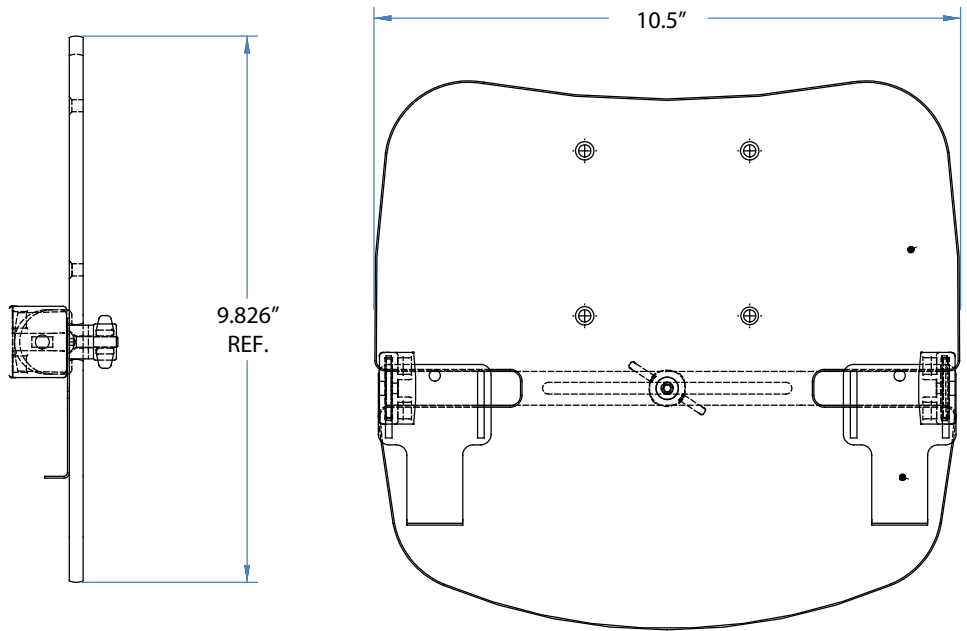


C O M P A N Y

Tel: (800) 828-9254 or (716) 484-9135  
www.weberknapp.com | e-mail: sales@weberknapp.com

## Tablet Holder Advantages:

- Platform Material: 1/4" phenolic
- Accommodates tablets 5.5" to 9.625" wide and up to an inch thick.
- 75mm VESA mounting pattern for mounting to most standard flat screen arms.
- Allows full access to all ports and buttons on the iPad.
- Adjustable sit-to-stand viewing and operation.
- Adjustable angle for comfortable usage and viewing



## TABLET HOLDER SPECIFICATIONS

30421-2: PHONE HOLDER	
30422-2: COMPUTER TABLET	
Material	1/4" Phenolic
Tablet Capacity	5.5" to 9.625" wide and up to an inch thick

