

## MiniCobra™

Ideal for above desk adjustment and medical cart applications



Height adjusts without knobs or levers; simply move the keyboard tray to the desired position and release. Optional positive tilt lock-out feature can be factory supplied or field installed.

Counterbalance design offsets keyboard weight during height and tilt adjustment. Slim profile provides maximum knee clearance, whether in use or retracted for storage. Rear swivel rotates 360° for optimal keyboard tray positioning and easy storage. Closed-channel design provides maximum keyboard stability.



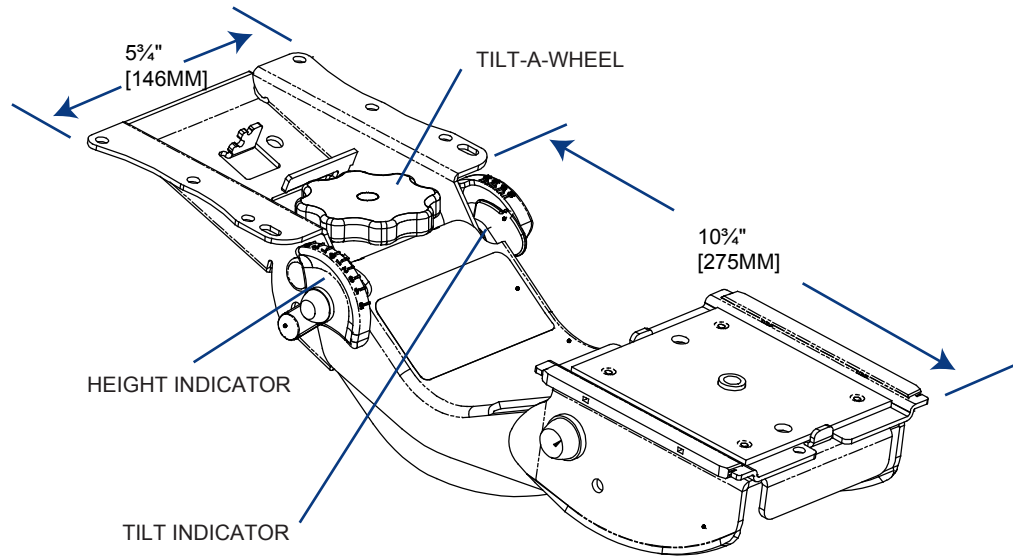
ADJUST THE WORKSPACE. DON'T ADJUST TO IT.



Tel: (800) 828-9254 or (716) 484-9135  
www.weberknapp.com | e-mail: sales@weberknapp.com

## MiniCobra™ Advantages:

- Soft-touch wheel adjusts tilt with each turn (+10°/-20°).
- Counterbalance spring helps offset keyboard weight during height adjustments.
- 8" total height adjustment range (3" above; 5" below the worksurface).
- No knob, lever, or ratchet handle required to set height; simply lift to desired position and release.
- 21" track included.
- Rugged steel construction finished in a durable black, white, or silver textured powder coat.
- Meets or Exceeds ANSI / BIFMA X5.5 2008 Industry Standard.
- All mounting hardware and instructions included.
- Made in the USA.



## MINI-COBRA SPECIFICATIONS

HEIGHT ADJUSTMENT	
ABOVE	3" (76 mm)
DOWN	5" (127 mm)
TOTAL	8" (203 mm)
HEIGHT SET BY	LIFT AND RELEASE
HEIGHT INDICATOR	YES
+10° / -20° TILT SET BY	SOFT TOUCH WHEEL
TILT INDICATOR	YES
REAR SWIVEL	360°
FULLY RETRACTABLE	YES, ON 21" TRACK (INCLUDED)
ANSI/BIFMA X5.5-1998	YES, EXCEEDS
MATERIAL	STEEL
FINISH	BLACK, SILVER OR WHITE TEXTURED POWDERCOAT

## NEGATIVE-TILT ONLY

AVAILABLE WITH ALL MINICOBRA™ TRAY SETS, A "POSITIVE TILT LOCKOUT PIN" CAN BE EITHER FACTORY OR FIELD INSTALLED SO ARM OPERATES ONLY IN THE NEGATIVE TILT DIRECTION.

INDICATE "NEGATIVE TILT ONLY" ON YOUR ORDER.

## FRONT SWIVEL OPTION 25396



OPTIONAL FRONT SWIVEL TURNS THE MINICOBRA™ INTO A DUAL SWIVEL FOR INCREASED MOBILITY.

