

NanoArm™

Ideal for Height Adjustable Tables



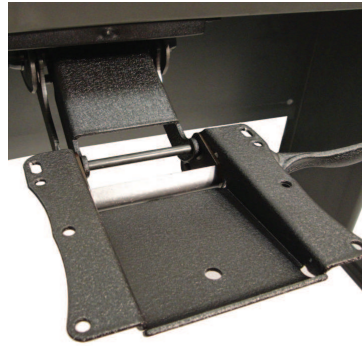
The NanoArm™ keyboard mechanism is designed for applications that require minimal track length and maximum retraction.

Ideal for height adjustable tables with a cross member as little as 9" from the front edge of your work surface. When combined with our "NanoTray™", it will fully retract on the standard 8" track.

Alternate track lengths 11" or greater will allow full retraction with all standard Weber Knapp keyboard tray / palm rest combinations.

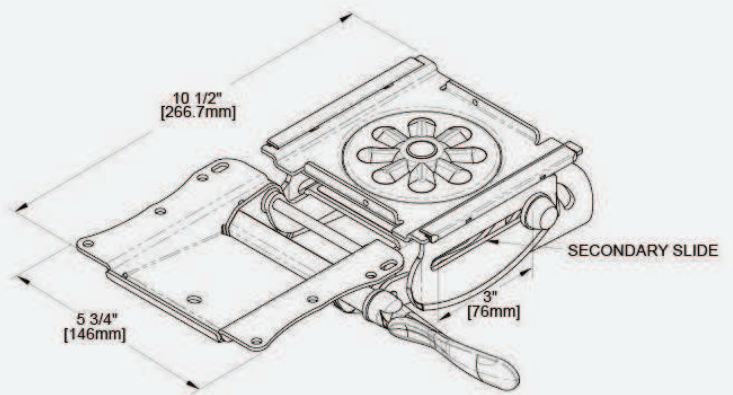
INNOVATION IN MOTION.

 WeberKnapp



NanoArm™ Advantages

- Patented secondary slide & unique arm design provide the "Nano" footprint.
- Full retraction with 8" Track and the "NanoTray™".
- Patented "No Knob/ Gravity Lock" spring assisted height adjustment.
- 6-3/8" total height adjustment range (1-1/8" above; 5-1/4" below the worksurface).
- Positive Tilt Lockout.
- Rugged steel construction finished in a durable black powder coat.
- Meets or Exceeds ANSI /BIFMA X5.5 2014 Industry Standard.
- All mounting hardware and instructions included.
- Made in the USA.



NanoArm™ 32179 Specifications

Height Adjustment	
Above	1 1/8" (29 mm)
Below	5 1/4" (133 mm)
Total	6 3/8" (162 mm)
Height Set By	Lift and release
+10° / -20° tilt set by	Wand
Rear Swivel	360°
Fully Retractable	On 8" track (included) with NanoTray™ w/1" palmrest (32177)
ANSI / BIFMA X5.5-2014	Exceeds
Material	Steel
Finish	Black Textured Powdercoat

